



FIG.1(a)

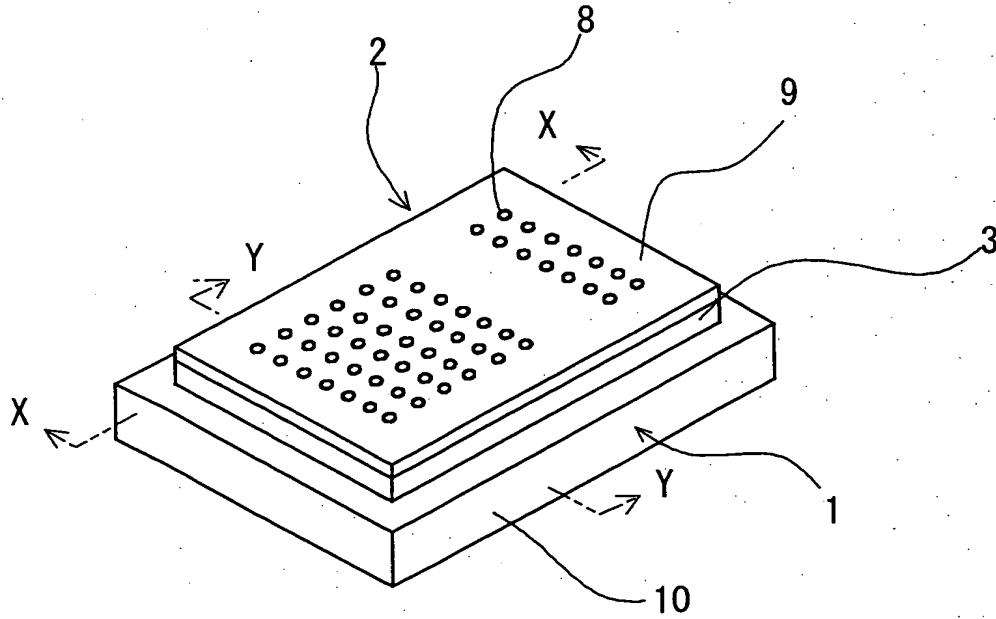


FIG.1(b)

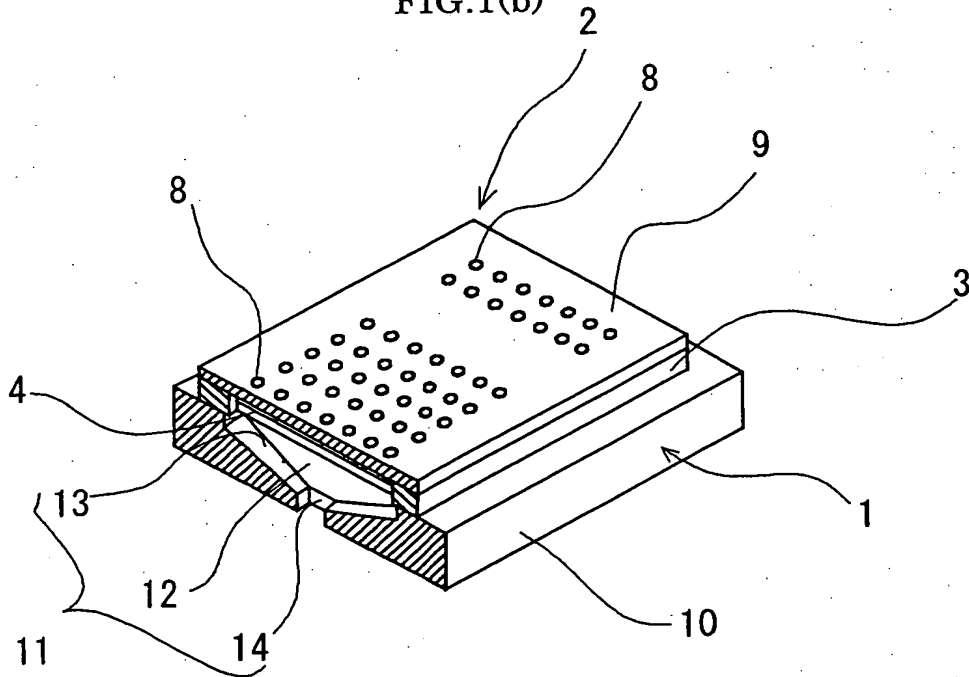


FIG. 2

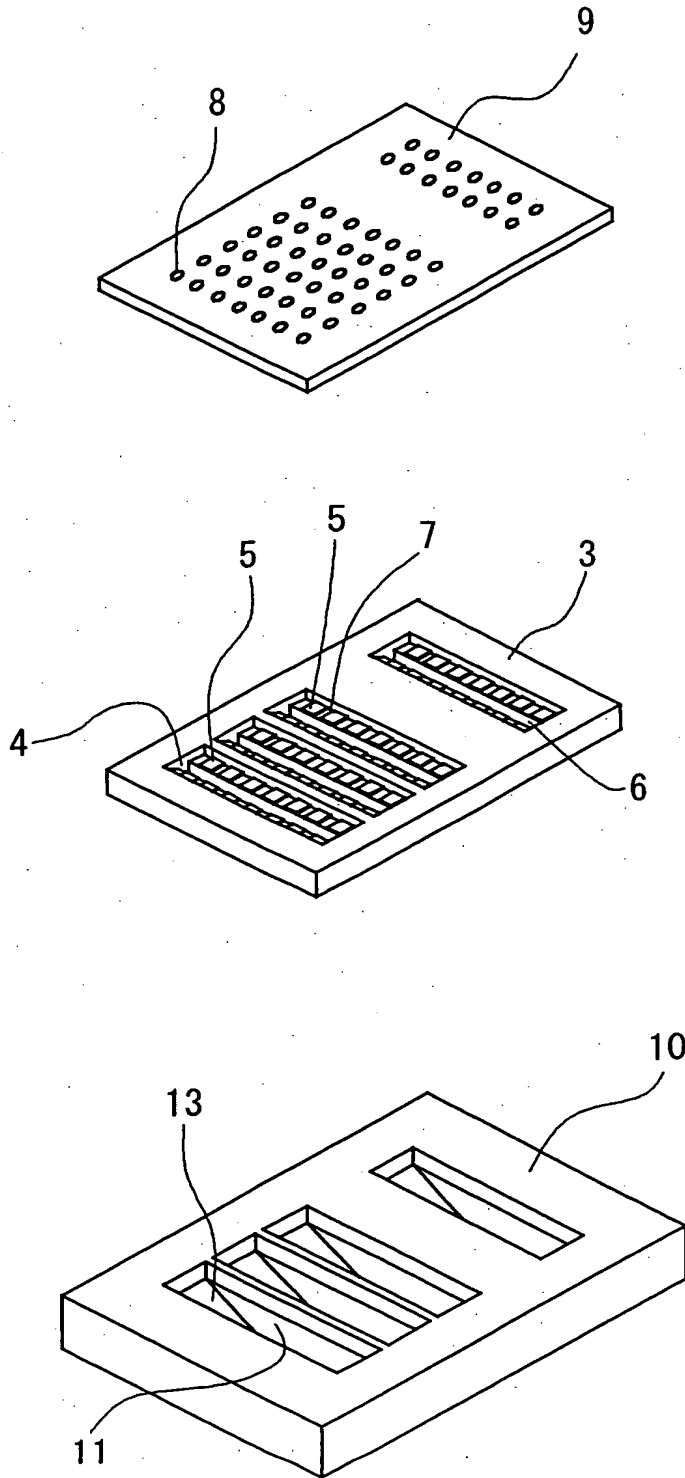


FIG.3(a)

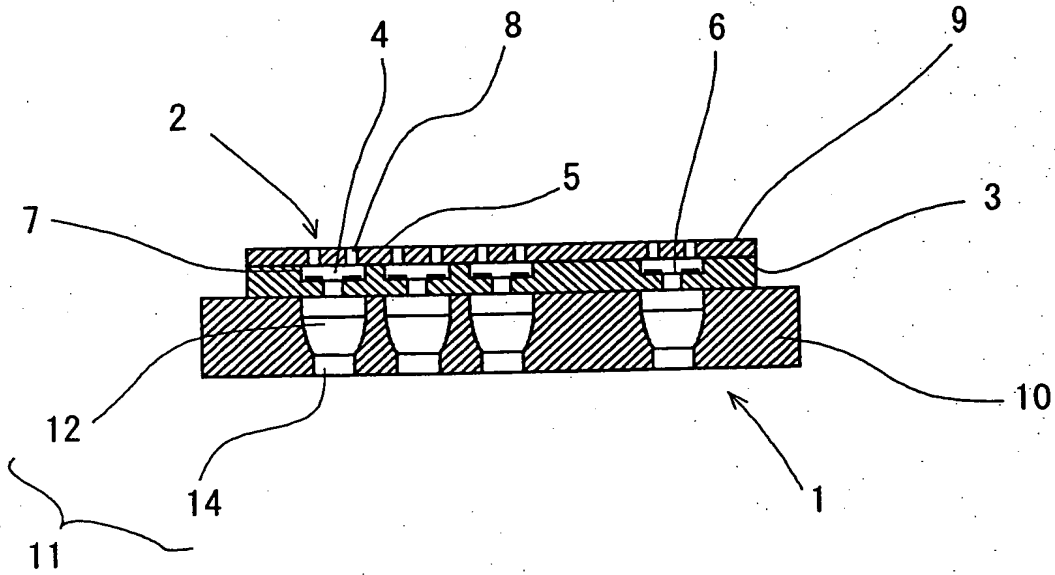


FIG.3(b)

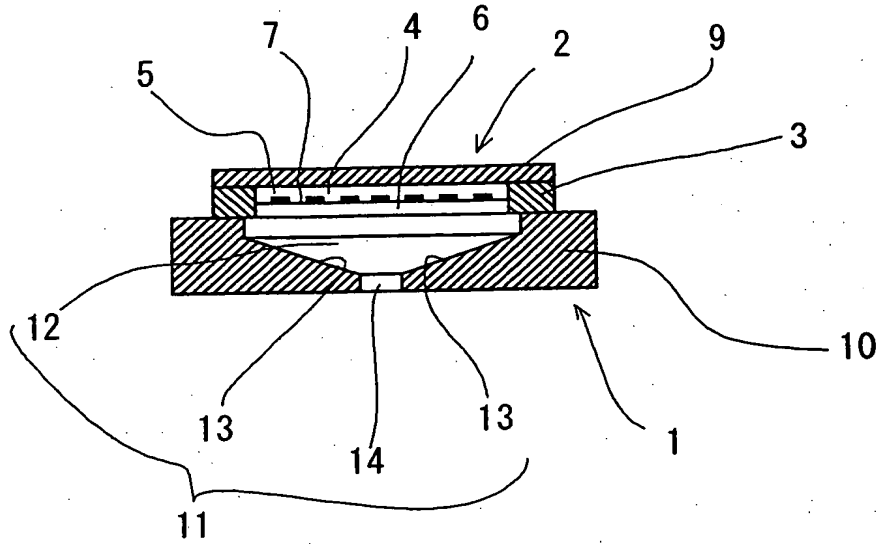


FIG. 4

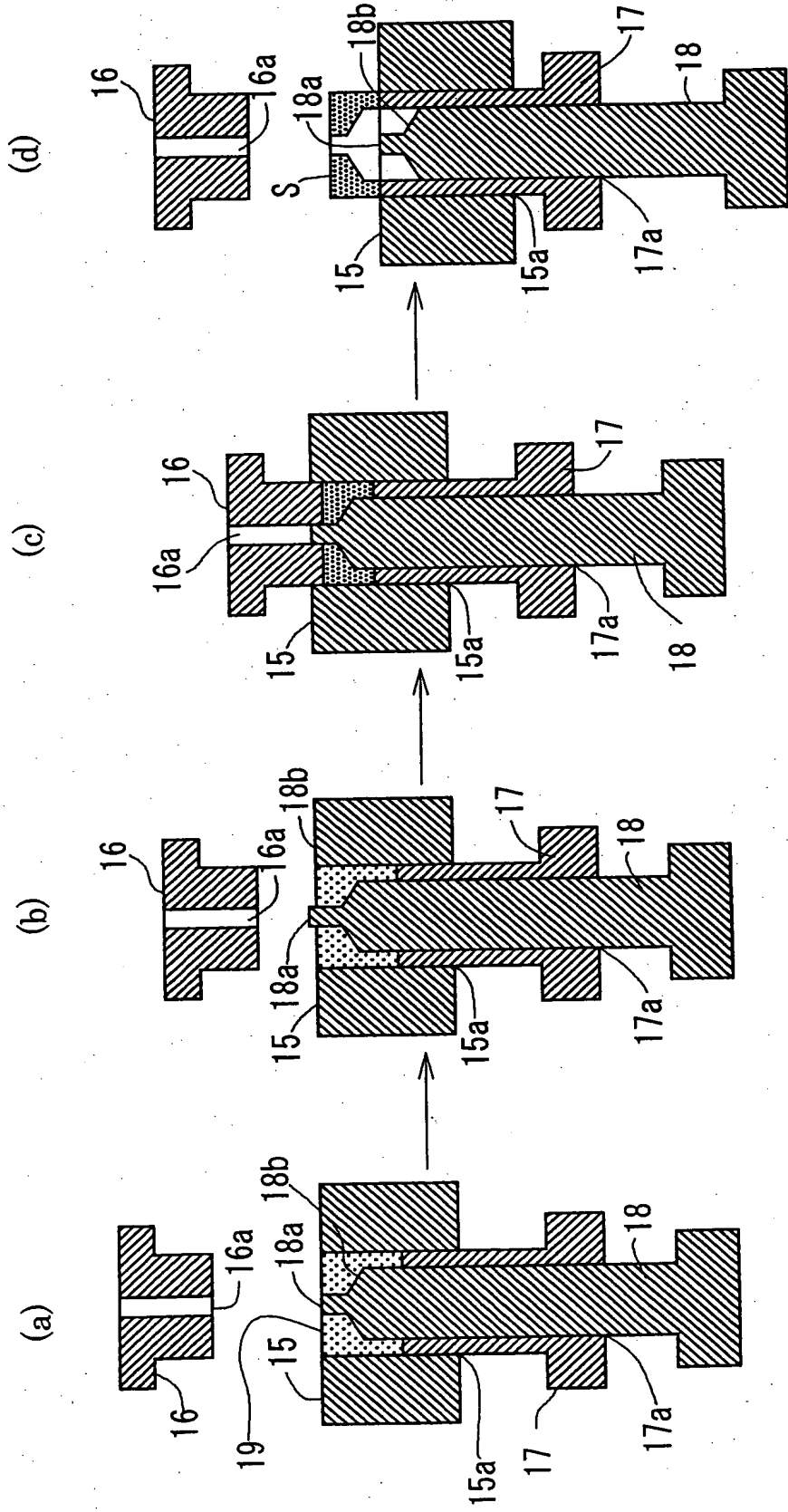


FIG. 5

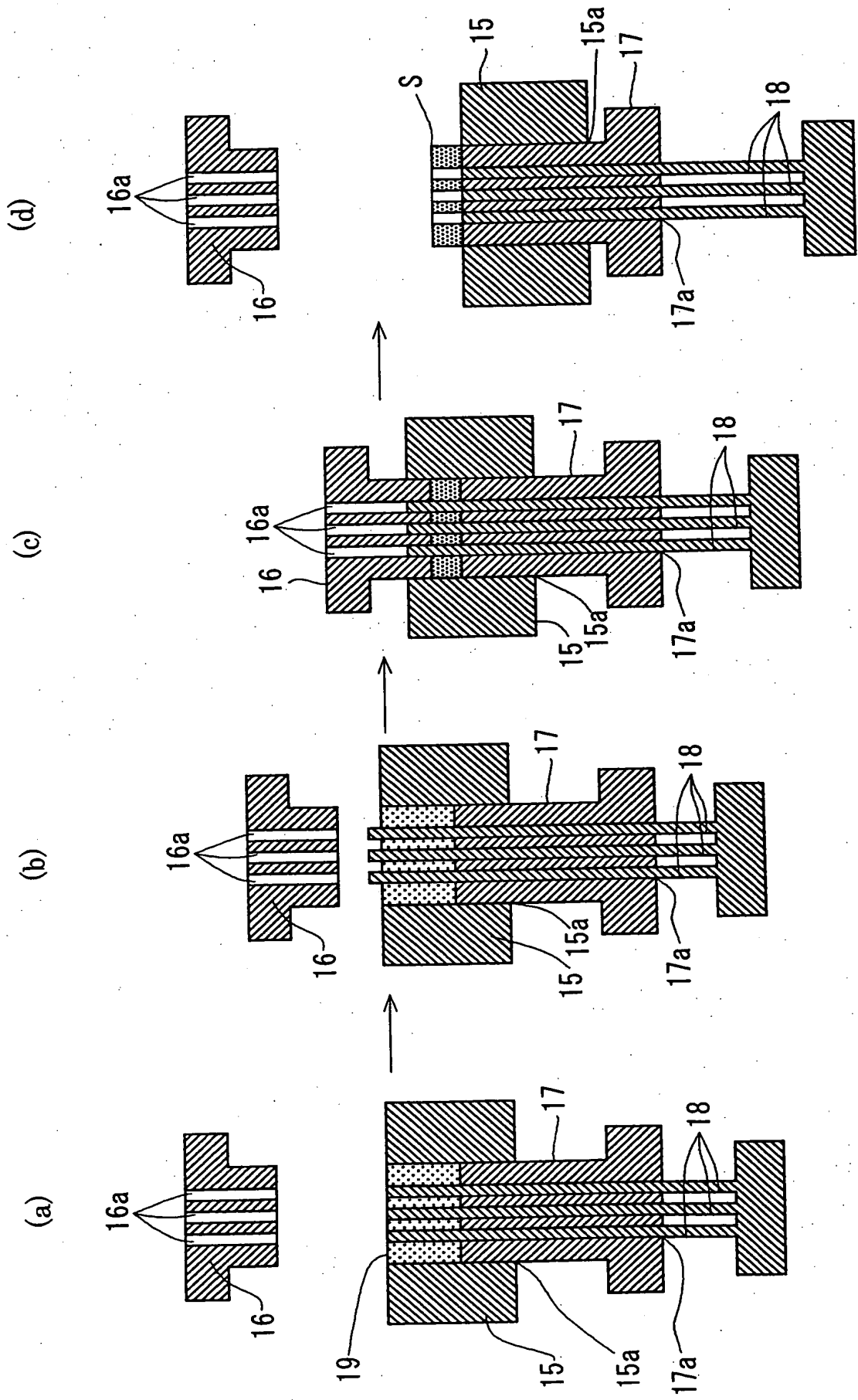


FIG. 6

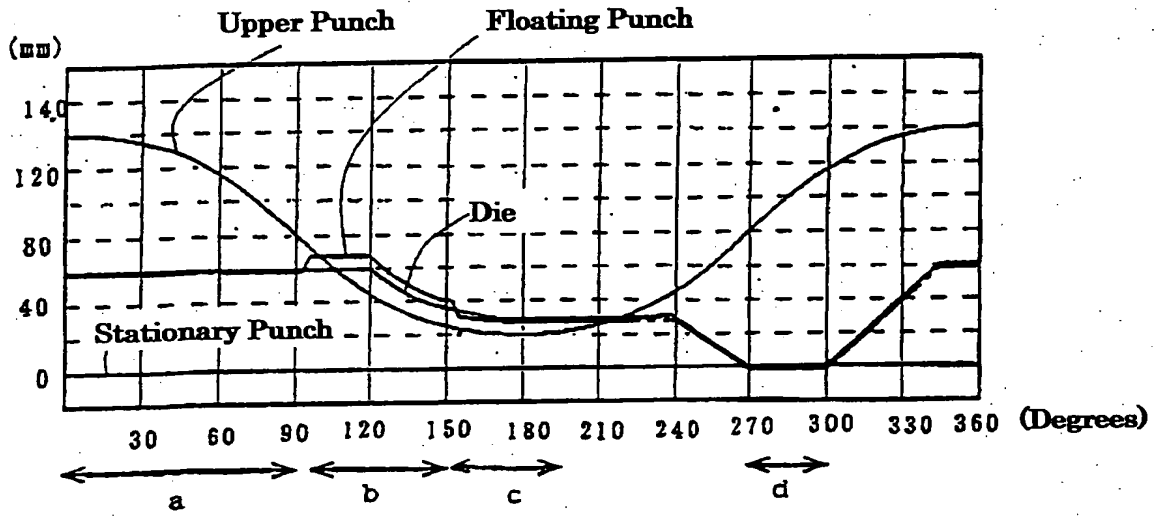


FIG. 7(a) (PRIOR ART)

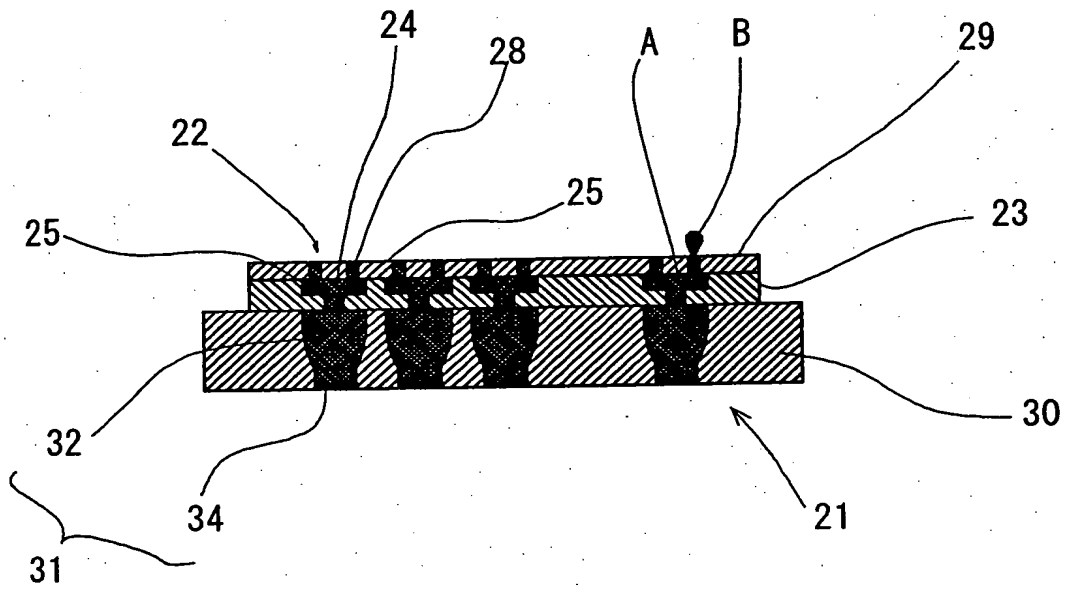


FIG. 7(b) (PRIOR ART)

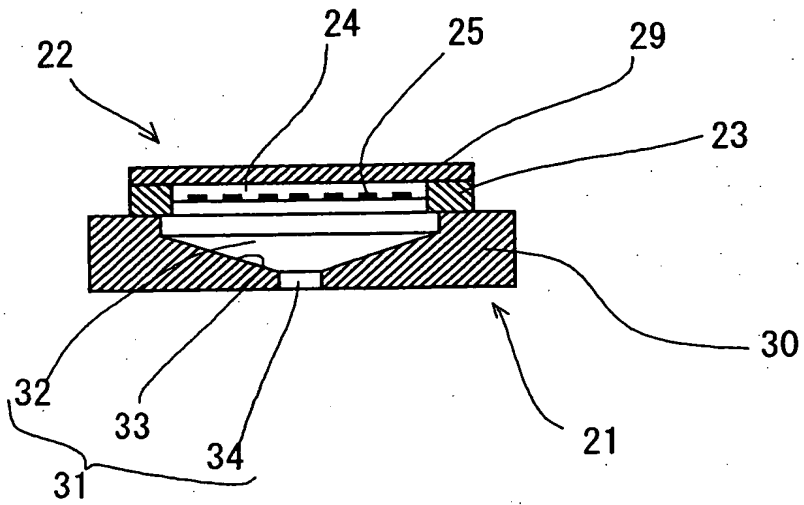


FIG.8(a) (PRIOR ART)

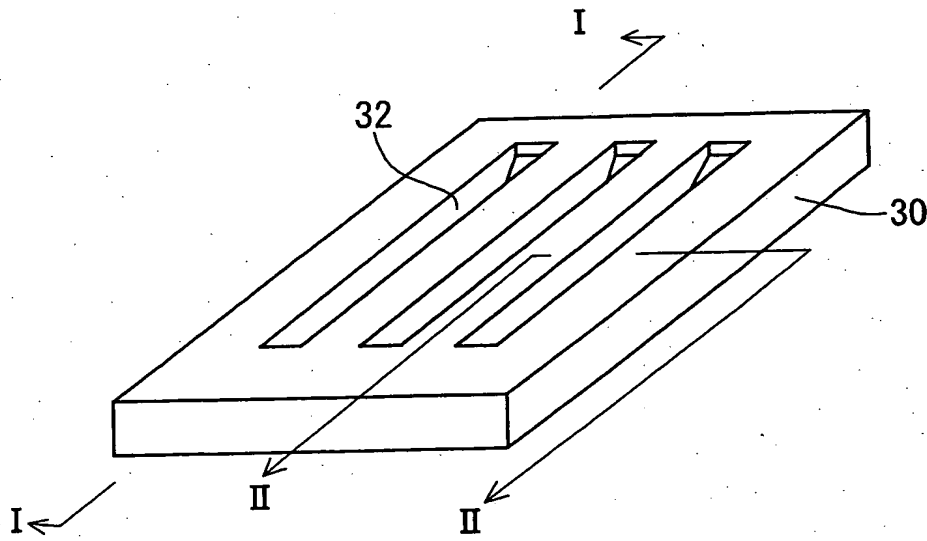


FIG.8(b) (PRIOR ART)

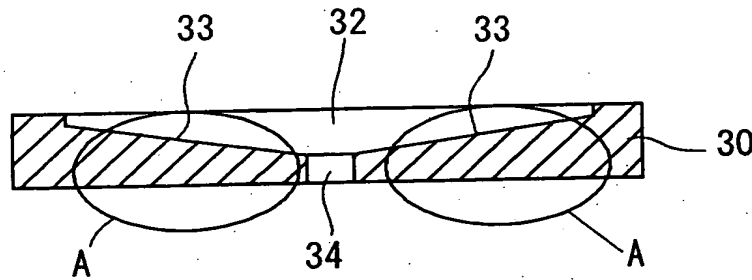


FIG.8(c) (PRIOR ART)

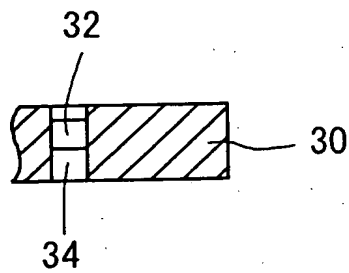




FIG.9 (PRIOR ART)

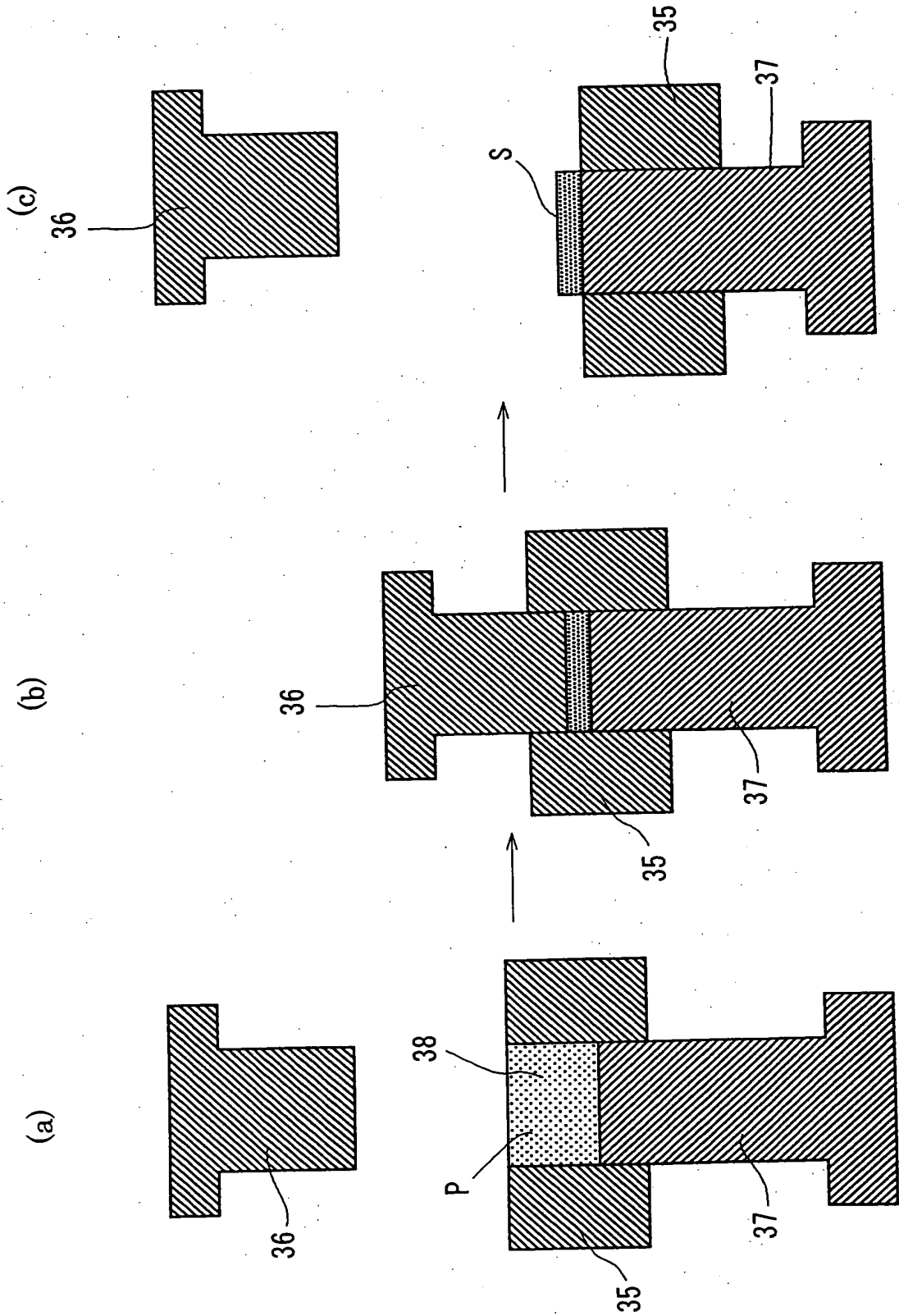


FIG.10 (PRIOR ART)

